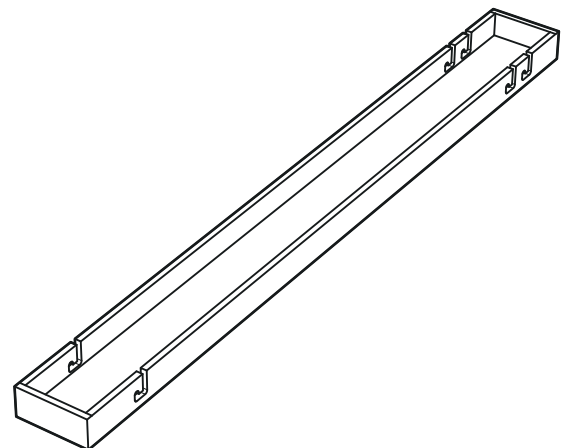
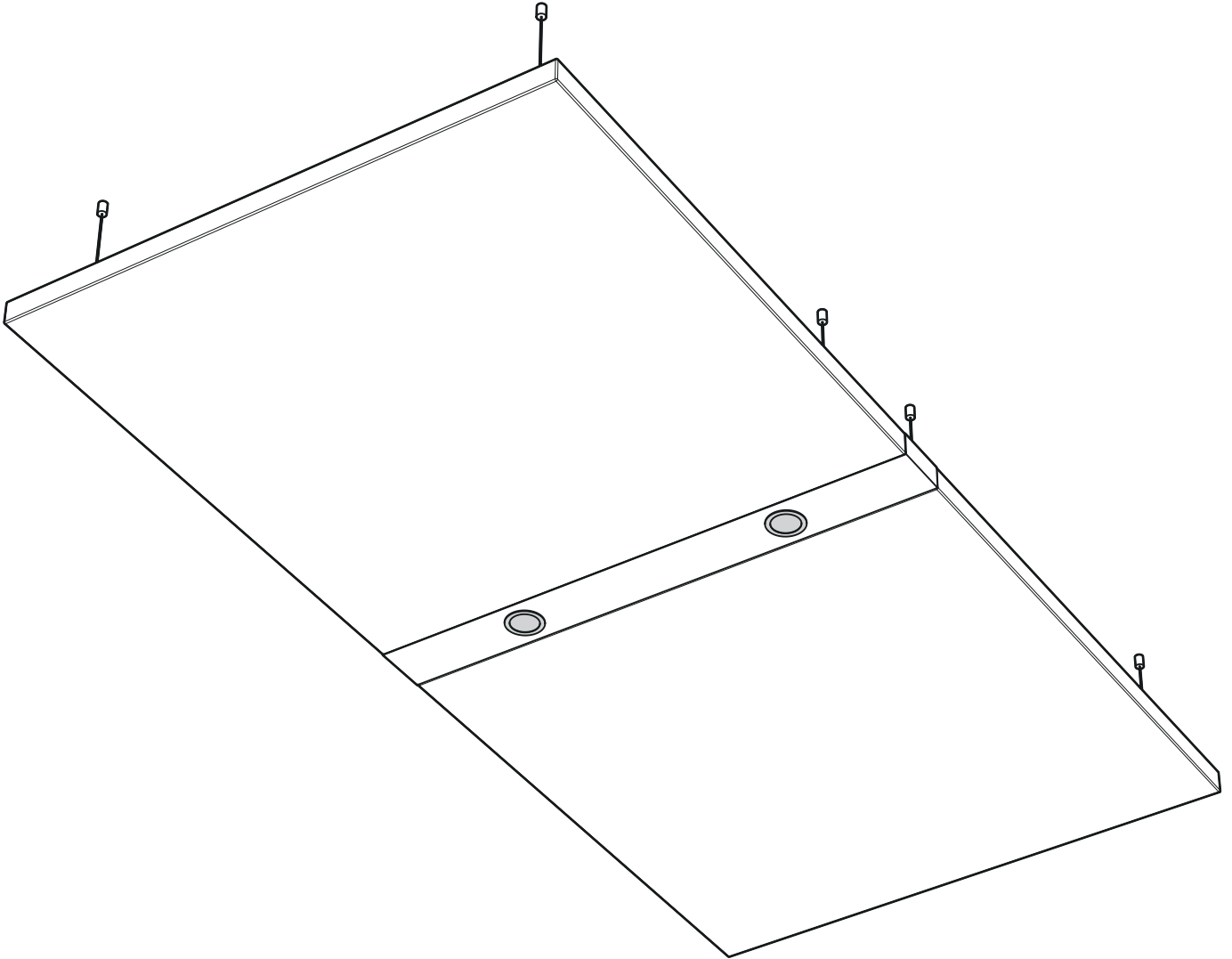
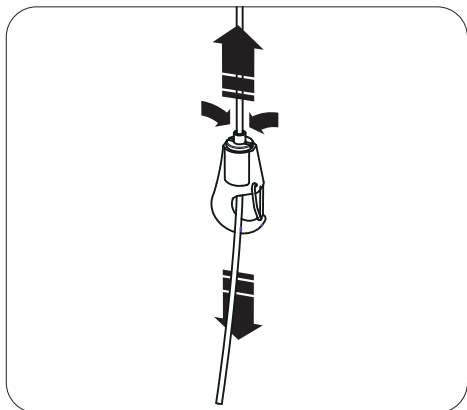
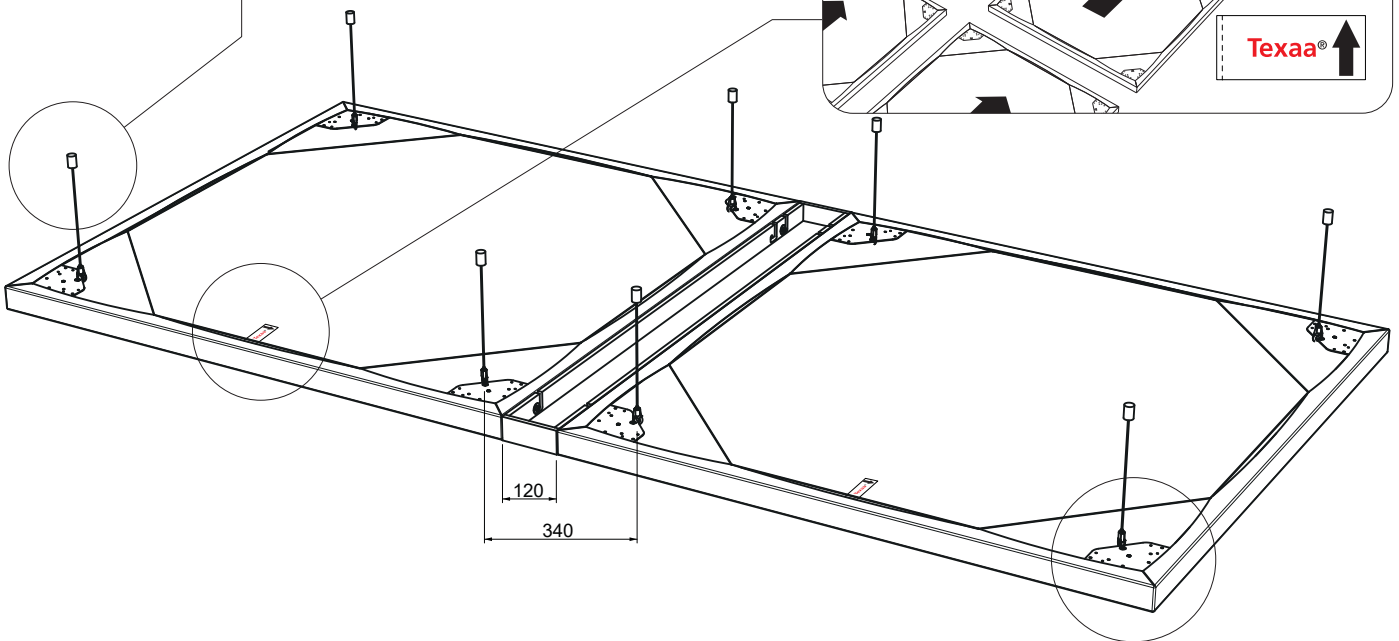
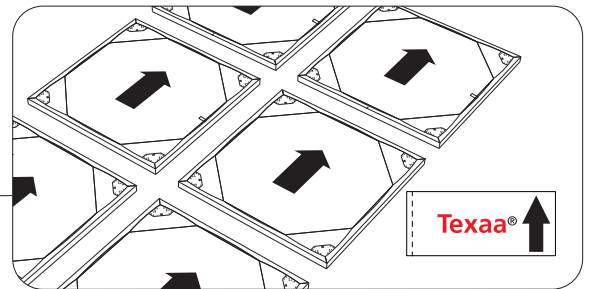
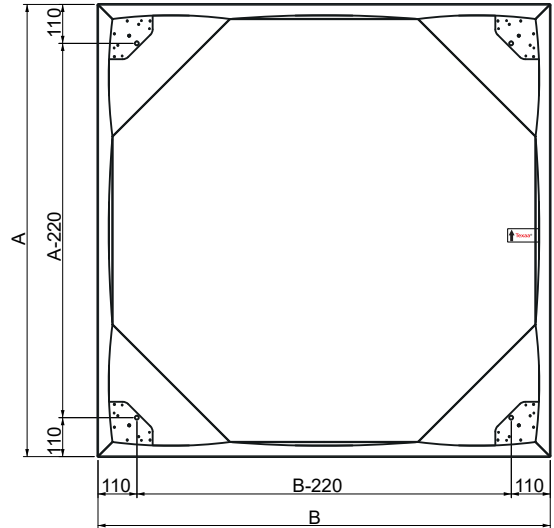
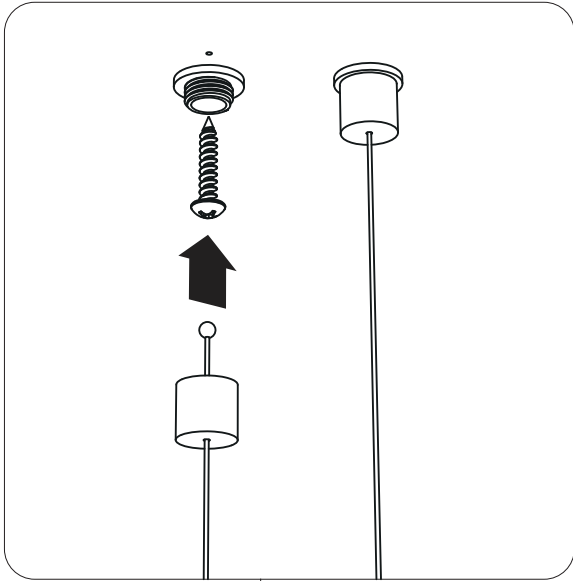
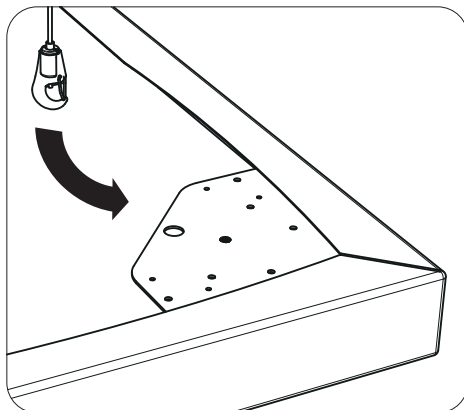


Strato

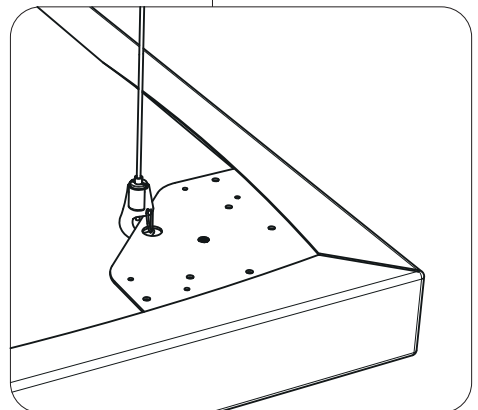




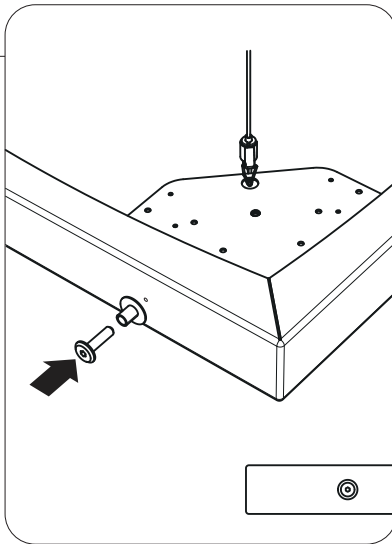
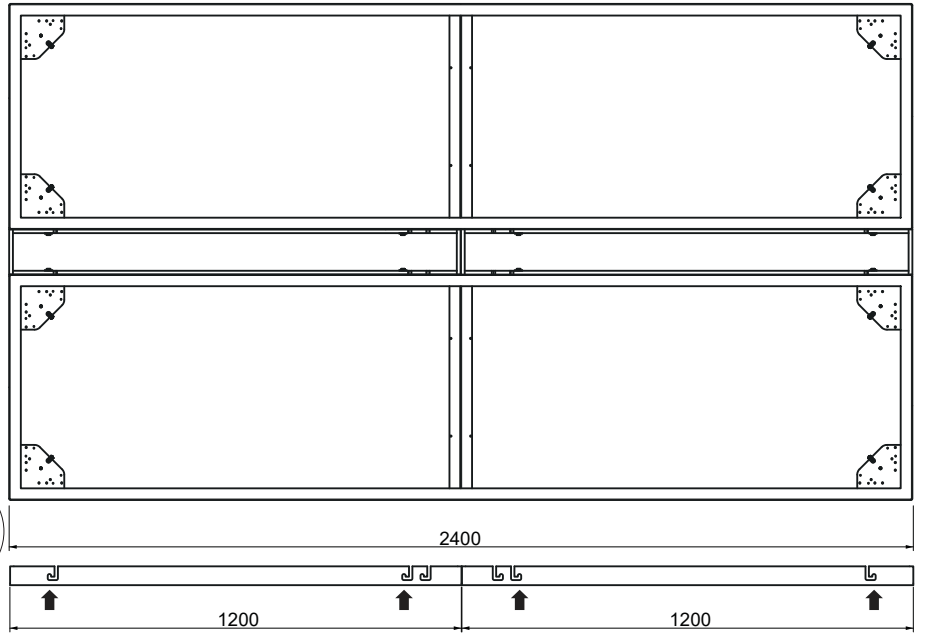
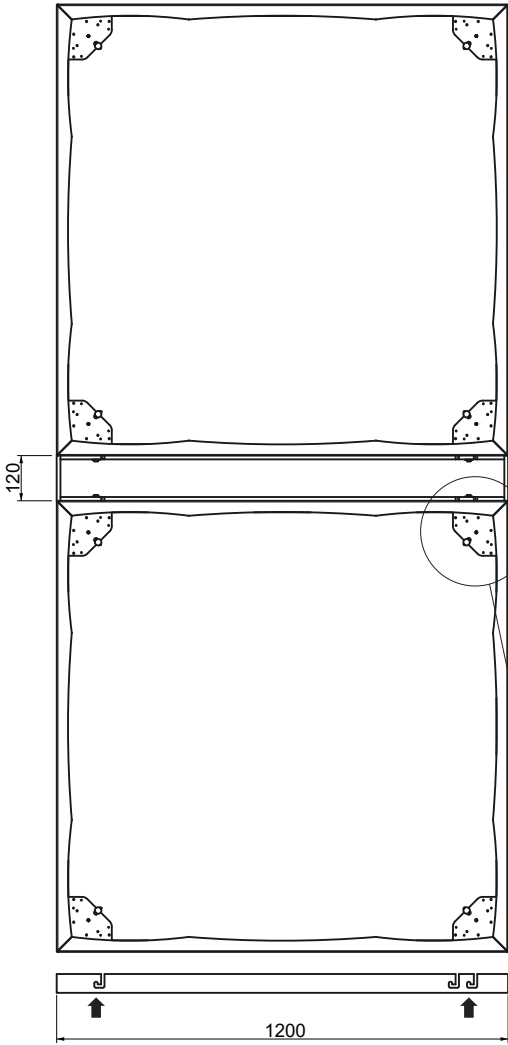
1



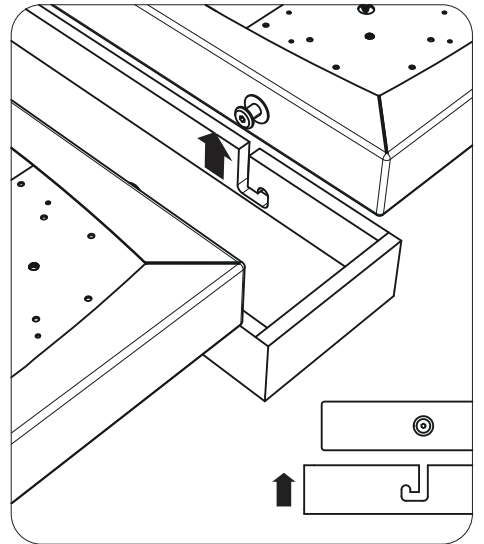
2



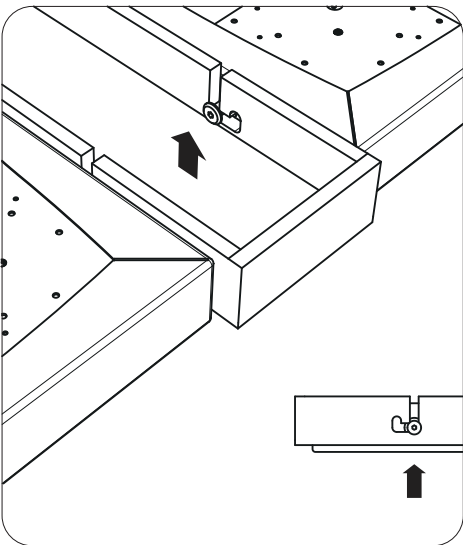
3



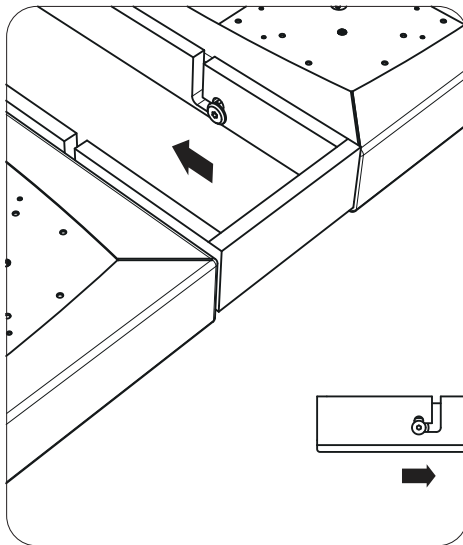
1



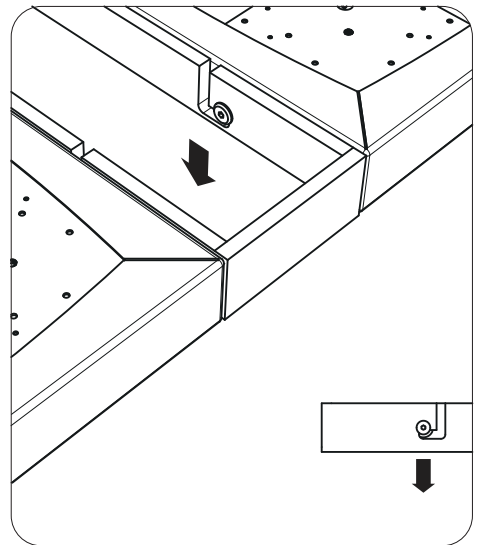
2



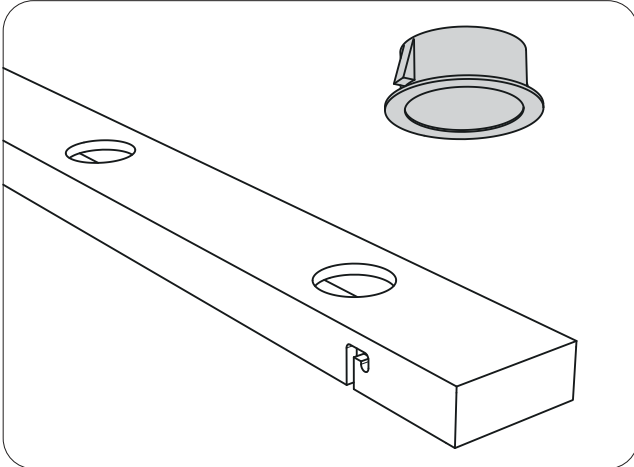
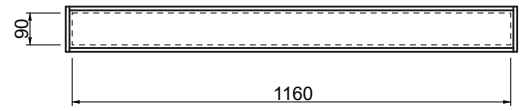
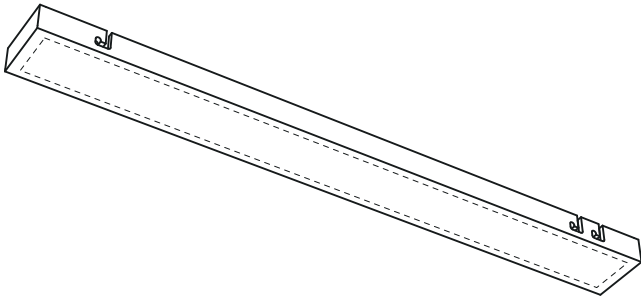
3



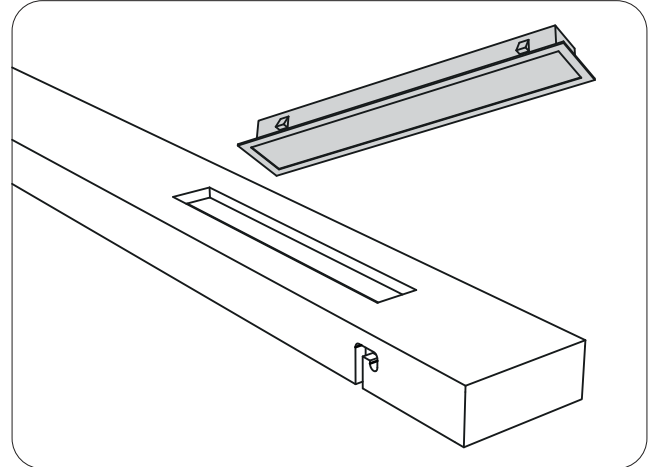
4



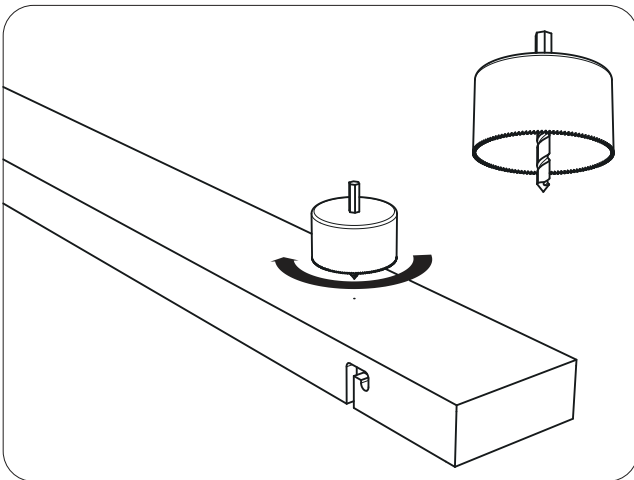
5



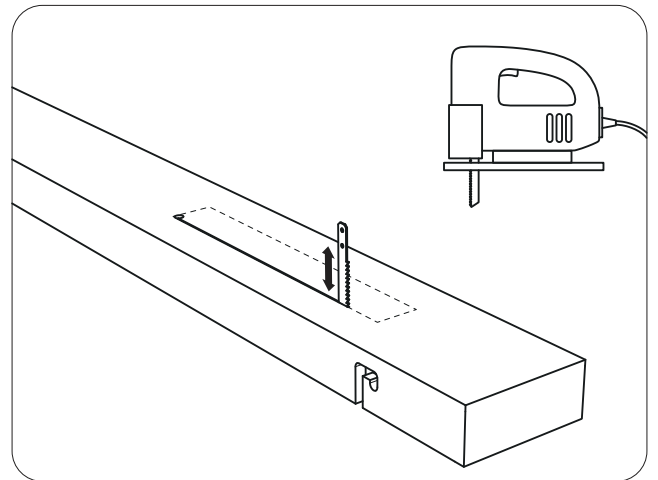
A



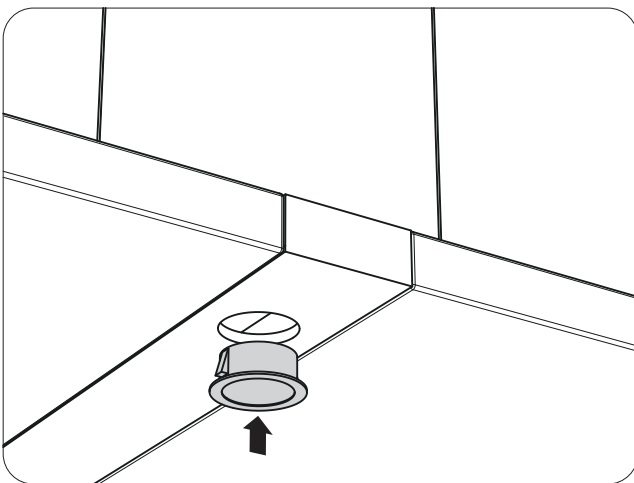
B



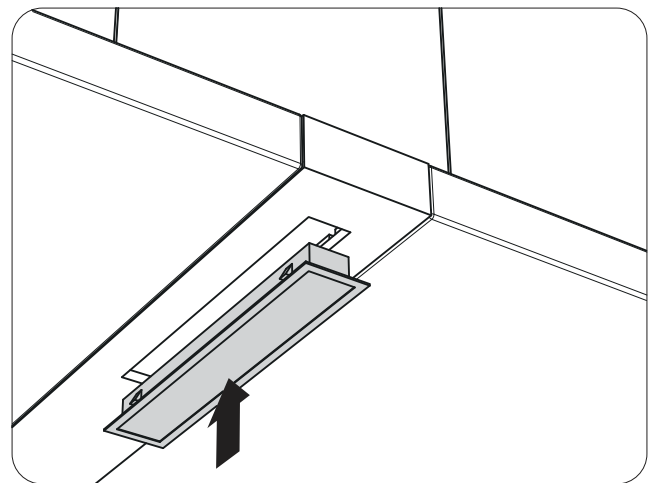
A1



B1



A2



B2

France

43, allée Mégevie
33174 Gradignan

+33 (0)5 56 75 71 56
contact@texaa.fr
www.texaa.fr

Deutschland

Walter-Kolb-Straße 9-11
60594 Frankfurt am Main

069/962 17 63 16
kontakt@texaa.de
www.texaa.de

United Kingdom

Becket House, 1 Lambeth
Palace Road
SE1 7EU London

020 7092 3435
contact@texaa.co.uk
www.texaa.co.uk